



Tuesday, December 14, 2021

2022 Classes and Staffing

Dear Parents and Carers,

Today we had the pleasure of introducing the students to their fabulous 2022 teachers and support staff. They were introduced to the following staff/teams.

Students will line up at their own classroom when the bell rings on the first day of school. Please see the map on the back page, together with more information about Day 1, 2022.

			
KP Miss Caitlin Patterson <i>Kindergarten Teacher</i>	KS Mrs Jenni Smith <i>Kindergarten Teacher</i>	KV Ms Jodi Vaughan <i>Kindergarten Teacher</i>	K-2 Support Teacher Mrs Mary Pearce
			
1H Mr Adam Hughes <i>Year 1 Teacher</i>	1M Mrs Adele Mackey and <i>Year 1 Teachers (Miss Sconfienza - Thu/Fri Term 3&4)</i>	1M Miss Natasha Sconfienza <i>Year 1 Teacher</i>	1B Ms Vanessa Bain <i>Year 1 Teacher</i>
			
2S Miss Jess Boyne (Mon, Tue & Fri) <i>Year 2 Teacher</i>	2S Mrs Kate Shook (Wed/Thu) <i>Year 2 Teacher</i>	2C Ms Anna Charlton <i>Year 2 Teacher</i>	3C Miss Talia Clough <i>Year 3 Teacher</i>

			
3M Ms Melissa Murray <i>Year 3 Teacher</i>	4F Mrs Theresa Friede <i>Year 4 Teacher</i>	4D Mrs Natalie Donald <i>Year 4 Teacher</i>	5D Mr Neil Dmytryk <i>Year 5 Teacher</i>
			
5K Mrs Chloe Kirk <i>Year 5 Teacher</i>	6U Mr Wes Unicomb <i>Year 6 Teacher</i>	6M Mr Brenton Mace <i>Year 6 Teacher</i>	Specialist Teacher Mr Mark Moses <i>PE/6M Teacher (Mondays)</i>
			
Specialist Teacher Mrs Erin Feneck (<i>Mon-Thu</i>) <i>Teacher Librarian</i>	Specialist Japanese Teacher Mrs Amanda Fowler <i>Teacher</i>	Learning Assistance and Support Teacher Stage 2 Mrs Jessica Fry <i>Teacher</i>	Learning Assistance and Support Teacher Stage 3 Mrs Catherine Kennedy <i>Teacher</i>
			
Support Class Teacher/Assistant Principal – Family Lawson (FL) Mrs Tina Lawson	Support Class Teacher – Family Hensman (FH) Ms Manda Hensman	Support Class Teacher – Family Morris (FM) Mr Craig Morris	Support Class Teacher – Family Morris (FD) Mr Shane Doherty
			
K-2 Learning and Support Teacher/Assistant Principal Early Stage 1 and Learning Support (Mrs Tina Lawson will lead these teams on a Friday)	School Psychologist Mrs Kathryn Hedgcock (Pauline Allan will also return to MPS on Mondays as School Counsellor)	Assistant Principal - Welfare Mrs Janelle Hodsdon <i>Teacher</i>	Principal Ms Michelle Hulme <i>Teacher</i>

			
Administration Manager Ms Penelope Crowley	Administration Officer Mrs Jackie Roberts	Administration Officer Mrs Cheryl Frans	School Learning Support Officer/Administration Officer Mrs Kay Pursell
			
Administration Officer Mrs Cath Farley	School Learning Support Officer Ms Emily Barron	School Learning Support Officer/General Assistant Mr Ross Hollander	School Learning Support Officer Mrs Delvene Mason
			
School Learning Support Officer Mrs Kelly McCormack	School Learning Support Officer Mrs Kirsty Byrne	School Learning Support Officer Ms Melanie Sharpe	School Learning Support Officer Ms Helen Taylor
			
School Learning Support Officer Mrs Deborah Redman	School Learning Support Officer Mrs Carol Ashworth	School Learning Support Officer Mrs Kirsty Rootsey	Canteen Supervisor Mrs Penny Hansen

School Information - Reminder

First Day Back in 2022 – Tuesday, February 1, 2022 (all students in Kindergarten to Year 6)

School Gates Open / Teachers are on Duty – 8.25am (**We will share on Facebook/School Stream if parents can come on site. Keep up to date with changes to routine / COVID-19 restrictions on our social media pages.*)

Classes Commence – 8.55am

Fruit / Crunch and Sip Break – Between 9am and 10.30am

Lunch – 11-11.30am

Recess – 1.15-1.55pm

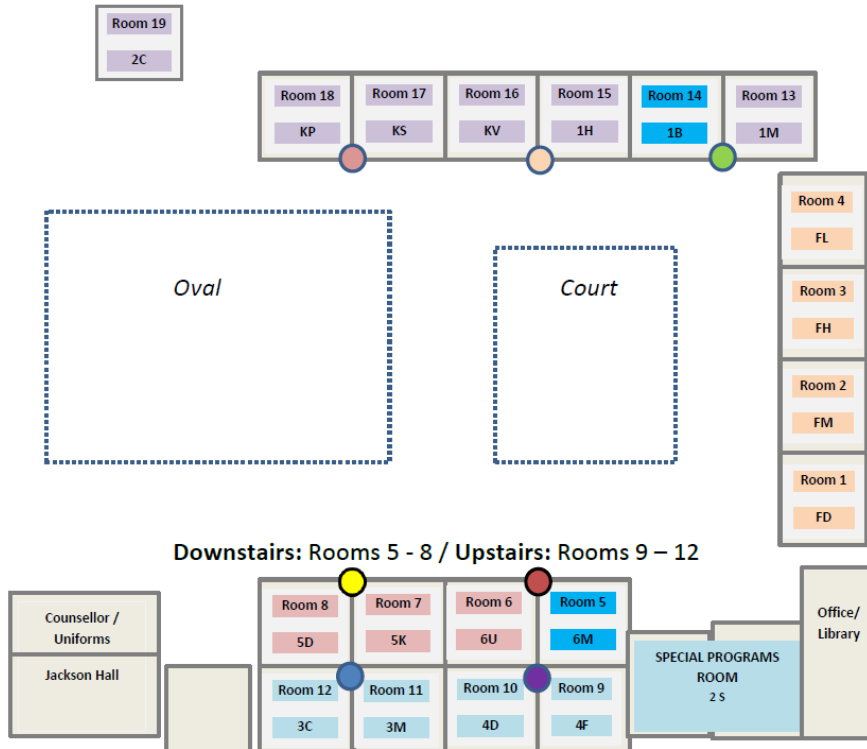
End of Day Bell – 2.55pm (students not collected by 3.05pm will have their parent/emergency contact called)

School and Classroom Map 2022



Merimbula Public School –2022 Principal – Ms Michelle Hulme

Assistant Principal (AP) Welfare/Support - Mrs Janelle Hodsdon



Room/Class & Teacher(s):

1. FD: Mr Shane Doherty
2. FM: Mr Craig Morris
3. FH: Ms Manda Hensman
4. FL: Mrs Tina Lawson (AP ES1/Lrn. Support)
5. 6M: Mr Brenton Mace (AP – Stage 2 and 3)
6. 6U: Mr Wes Unicomb
7. 5K: Mrs Chloe Kirk
8. 5D: Mr Neil Dmytryk
9. 4F: Mrs Theresa Friede
10. 4D: Mrs Natalie Donald
11. 3C: Miss Talia Clough
12. 3M: Ms Melissa Murray
13. 1M: Mrs Adele Mackey and Miss Natasha Sconfienza
14. 1B: Ms Vanessa Bain (AP – Stage 1/RFF)
15. 1H: Mr Adam Hughes
16. KV: Ms Jodi Vaughan
17. KS: Mrs Jenni Smith
18. KP: Miss Caitlin Patterson
19. 2C: Mrs Anna Charlton (Demountable)
20. 2S: Mrs Kate Shook/Ms Jess Boyne (Special Programs Room)

	K-2
	Stage 2
	Assistant Principals
	Support Classes
	Stage 3
●	Stage 3 Support – Catherine K
●	Aurora Year 6
●	Aurora Yr 5/Itinerant Support TCH Hearing Kalli Rajic THU 9-11am
●	K-2 Support – Mary Pearce
●	K-2 Reading Resource Room
●	Stage 2 Support – Jessica Fry
●	K-2 Support – Corinna Mace (AP – Early Stage 1/Learning Support)

Day 1 of School Information – February 1, 2022

- Currently, parents/caregivers are **not permitted on site** at NSW public schools (unless in specific situations, with COVID-Safe plans, like at our Graduation events etc). **(*We will share on Facebook/School Stream if parents can come on site in 2022. Keep up to date with changes to routine / COVID-19 restrictions on our social media pages**
- **Kindergarten students** will enter the school grounds with all other students, depending on the restrictions on the day.
- The pick-up area for Kindy/new students will be at the back gate, either outside if no entry is permitted, or on the oval if onsite pick-ups are permitted - giving parents room to physically distance 1.5m from one-another/students (should physical distancing be required).
- **Pick Up / Drop Off Areas:**
 - Back Gate (Henwood Street)** – Kindy students/new students *and* optional for all other grades.
 - Opposite the Front Gate (Randolph Street)** – Year 1 – 6 students (a staff member supervises here also).
 - Beach Street** – A staff member crosses students over the road at the Main Street Crossing.

Thank you for your support throughout such a challenging, yet once again rewarding and fun year at Merimbula Public School. Thank you for your support during the Home Learning time and for working collaboratively with us during so much change and uncertainty. We look forward to providing more support and opportunities for your children to achieve success in 2022 and will also be increasing and improving our communication with families via more notes, newsletters and social media communications.

Have a safe and happily holiday!

Regards,
Michelle Hulme
Principal